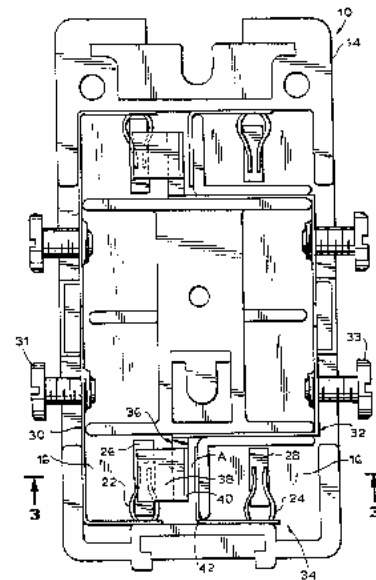


DIGISAFE™
 Household Safety Receptacle
 (U.S. Patent 5,320,545)

Digisafe is a household safety receptacle which employs an internal shunting mechanism to insure that it is impossible for the insertion of a single object into either of the receptacle slots to result in a shock. Furthermore, because both prongs must be fully inserted for any current to flow, it is impossible to obtain a shock from an exposed prong when plugging in an appliance. Unlike shutter type safety receptacle devices, there are no rotating, sliding, or screw-on covers that typically impede adult use and attract the attention of curious children.

Digisafe has two basic embodiments. The first is a replacement for a common household outlet. The second is a user installed add-on device which fits over an existing outlet. Applications include homes, schools, day care centers, and homes for the elderly. Given the growing awareness and importance of child safety and consumer safety in general, this device could account for a significant share of the roughly one hundred and eighty million household type electrical receptacles manufactured in the United States every year.



Applications	Approx. Retail Price	Potential U.S. Market
<ul style="list-style-type: none"> ◆ Household wall outlet ◆ User installed module 	\$5.00	<ul style="list-style-type: none"> ◆ 90,000,000 households ◆ Schools, day care centers ◆ Medical, nursing facilities ◆ Hotels and motels